

ARC One Piece

Fusion Consoles™

The Shape of Things to Come

Made in America

Meet the FUSION ARC™ 6024-1P

Our new and cost-effective one piece ARC
design with our smallest footprint yet!



As shown Model # ARCSYS-6024-1P includes:
Desk, Monitor Bridge
& Under Counter Rack

Distributed by

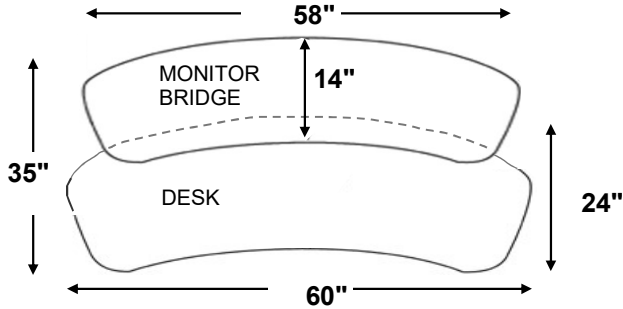
MARKETEC
a division of Rack Innovations Inc.

419 S. Flower St.
Burbank, CA 91502
800 557-8861 / 818 847-0200 Fax 888 262-1726
info@fusionconsoles.com
www.fusionconsoles.com



The Shape of Things to Come

Made in America



ARC ONE PIECE

Model #ARCDISK-6024-1P

Standard Desk Height with Folding Legs = 29"

Monitor Bridge is Fixed Height
5 1/2" above Desk surface

Available with:

Casters

40" Tall Legs

40" Tall Legs with Casters

FOR OPTIONAL CONFIGURATIONS SEE PRICING CATALOG

SOLUTIONS....

Our popular Fusion Consoles™ series is recognized as the leader in the rental and post production community for its rugged durability and upscale design. Built with timeless style, our designs provide attractive, stable support which offer a comfortable space to work.

ERGONOMICS....

The curved design of the desks and monitor bridges pulls the equipment toward you, placing it within your line of sight and within reach.

FUNCTIONALITY....

With the 2 position folding leg, all of our desks are designed to accommodate single or dual users. We meet the demands of most editing systems while creating a smaller footprint found in today's editing rooms.

AFFORDABILITY....

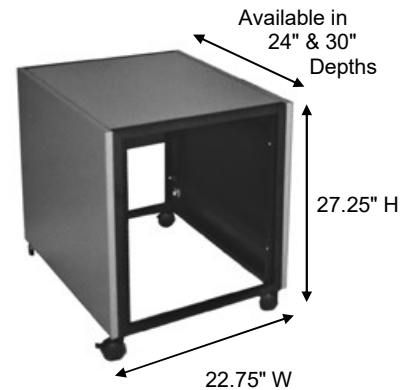
Lots of features at competitive pricing. Our simple design saves you time and money during assembly. Our under counter racks are shipped assembled.

Recommended Optional Under Counter Racks for our systems:

UCR13RU24 13ru high x 24" deep with front and rear adjustable rack rails

UCR13RU30 13ru high x 30" deep with front and rear adjustable rack rails

Racks available with Solid Bottom and (2) Adjustable Shelves in 24 or 30" Depths



The Standard Color for our Fusion Consoles™ is Phantom Grey Matrix. Customization of our Products and Colors are available. Just ask us!

Distributed by MARKETEC, a division of Rack Innovations, Inc.

419 S. Flower St. Burbank, CA 91502 800 557-8861 / 818 847-0200 Fax 888 262-1726

info@fusionconsoles.com www.fusionconsoles.com

