

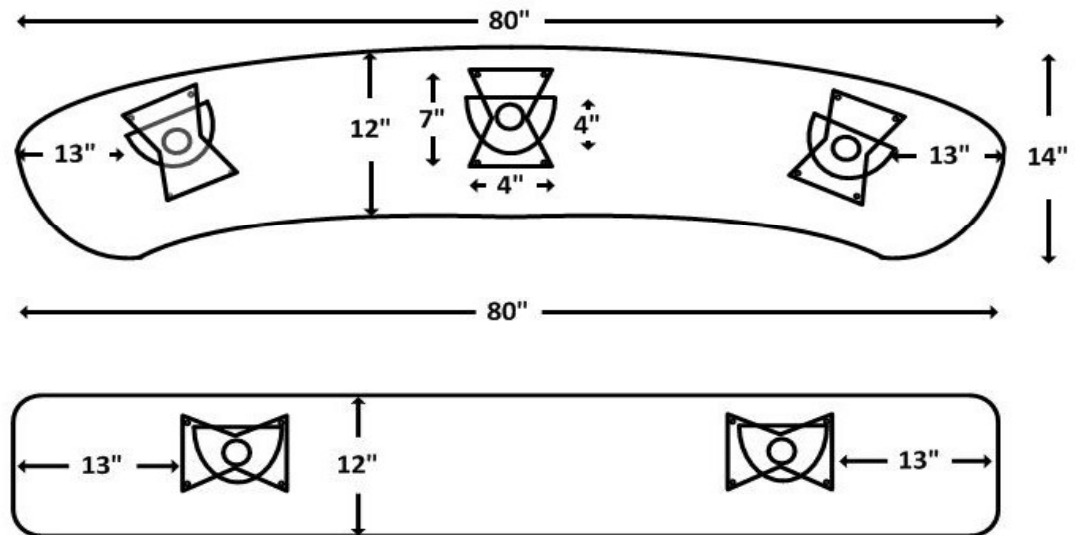
Removable Desk Top Monitor Bridge

Fusion Consoles™

The Shape of Things to Come

Made in America

**CURVED or RETANGULAR
Clamp On
Desk Top Monitor Bridges
Fit Most Desks**



Models Shown
CURVED #MB3C-8012
and
RETANGLE #MB2R-8012

Removable, Clamp On Bridges

**Ideal for Standard and Electric
SIT to STAND Desks**

Distributed by

MARKETEC
a division of Rack Innovations Inc.

419 S. Flower St.
Burbank, CA 91502
800 557-8861 / 818 847-0200 Fax 888 262-1726
info@fusionconsoles.com
www.fusionconsoles.com

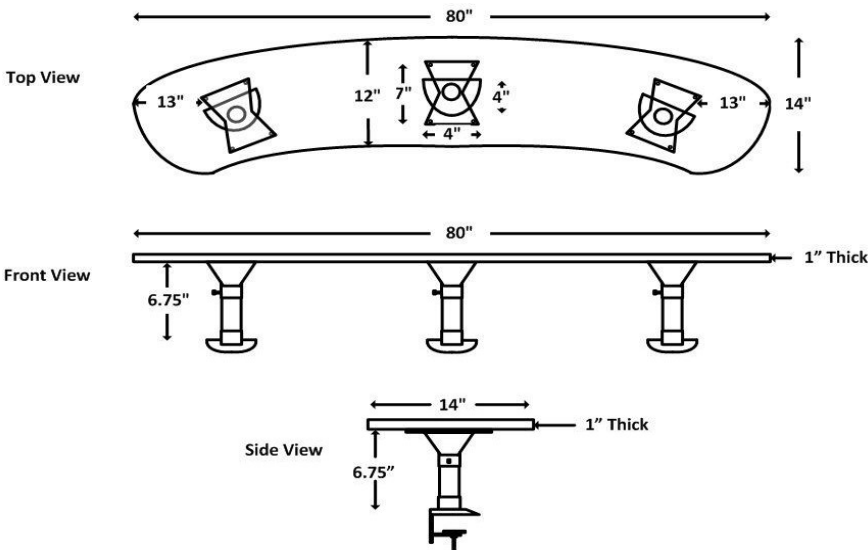


The Shape of Things to Come

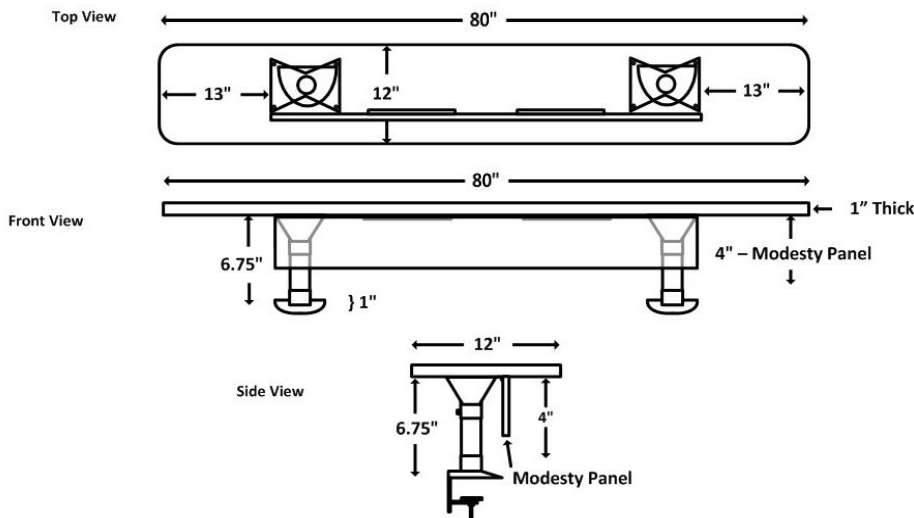
Made in America

WANT MORE SPACE ON THE DESK?

WHETHER YOU HAVE A STANDARD DESK OR ONE OF THE NEWEST SIT-TO-STAND ELECTRIC DESKS, OUR DESKTOP BRIDGE WILL ELEVATE YOUR MONITORS AND PROVIDE YOU THE EXTRA SPACE YOU WANT.



Our CURVED style brings the monitors closer to the operator, creating a feeling of a cockpit.



For a more Traditional look, we have our RETANGULAR style.

For a more finished look, you can add a modesty panel at the front.

**NEED A DESK TO GO WITH THESE BRIDGES?
WE HAVE THE WIDEST SELECTION OF DESK DESIGNS AND CAN BUILD ANY SHAPE,
OR SIZE WITHIN YOUR BUDGET AND TIME FRAME.
JUST CALL US**

**Distributed by MARKETEC, a division of Rack Innovations, Inc.
419 S. Flower St. Burbank, CA 91502 800 557-8861 / 818 847-0200 Fax 888 262-1726
info@fusionconsoles.com www.fusionconsoles.com**