

# RACKS

**Fusion Consoles™**

**The Shape of Things to Come**

**Made in America**

## Meet the FUSION™ RACK Series.

Designed with functionality, durability  
and beauty in any size you want.



Distributed by

**MARKETEC**  
a division of Rack Innovations Inc.

419 S. Flower St.  
Burbank, CA 91502  
800 557-8861 / 818 847-0200 Fax 888 262-1726  
info@fusionconsoles.com  
www.fusionconsoles.com



**The Shape of Things to Come**

**Made in America**

## SOLUTIONS

Our racks are beautiful pieces of technical furniture that fit into any environment. Whether you have one of our current modular furniture systems or just need to add a rack system, Fusion is the clear choice.

## DURABILITY

Our casters are heavy duty and able to withstand the abuse many racks take while being transferred to and from multiple environments.

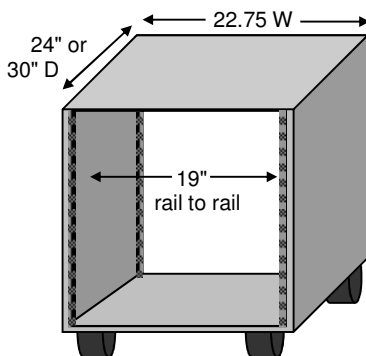
## VERSATILITY

With our racks the front is the back and back can be the front. Complete with front and rear rack rail, there is no wrong way to rack mount your gear. Our removable laminated sides and lift-off top are an engineer's dream.

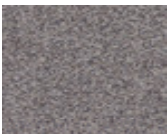
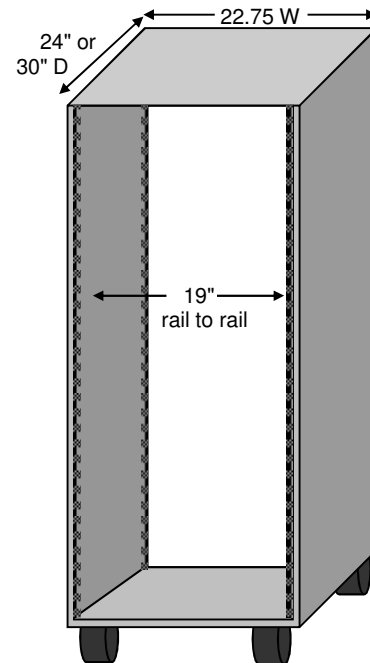
Racks are available in either 24" or 30" depths. Starting at 13RU and going all the way up to 40RU, we have a rack for your every need. (Any rack over 36RU includes an anti-tip base)

All of our racks are shipped assembled.  
This saves time and money.  
You are ready for your installation immediately.

## FOR OPTIONAL CONFIGURATIONS SEE PRICING CATALOG



To determine overall height  
add 7" to RU height  
( 1 RU is 1.75")  
Example  
 $14RU = 24.5" + 7" = 31.5$   
Height



The Standard Color for our Fusion Consoles™ is Phantom Grey Matrix.  
Customization of our Products and Colors are available. Just ask us!

Distributed by MARKETEC, a division of Rack Innovations, Inc.  
419 S. Flower St. Burbank, CA 91502 800 557-8861 / 818 847-0200 Fax 888 262-1726  
info@fusionconsoles.com www.fusionconsoles.com