

# FUSION-*E* Series

**Fusion Consoles™**

**The Shape of Things to Come**

**Made in America**

## FUSION Consoles become ***ELECTRIFIED***



As shown Model # CRESDSK-9229-EHA-5C

**Looking for new or want to convert your existing  
Fusion Console to a Sit or Stand desk?**

**We have the solution.**

**Need additional rack space?**

Shown with attached  
Optional Rack  
Custom sizes available  
CPU Holder can attach  
to the opposite side



Distributed by

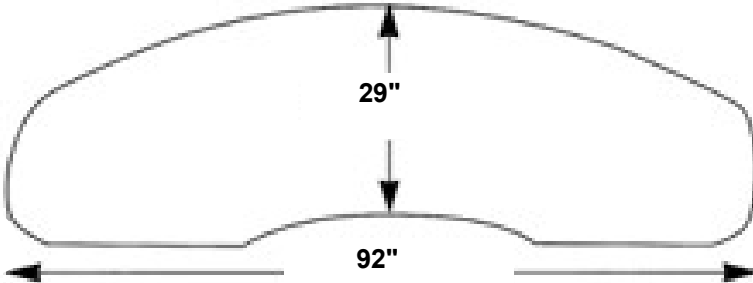
**MARKETEC**  
a division of Rack Innovations Inc.

419 S. Flower St.  
Burbank, CA 91502  
800 557-8861 / 818 847-0200 Fax 888 262-1726  
info@fusionconsoles.com  
www.fusionconsoles.com



# Fusion Consoles™

The Shape of Things to Come  
Made in America



## DESK Model #CRESDSK-9229-EHA-5C

Available with:  
Electronic Height Adjustability (25"- 47")  
Weight Capacity 330 LBS  
Heavy Duty Casters

Select ARC Desks also available with electric legs.

## FOR OPTIONAL CONFIGURATIONS SEE PRICING CATALOG

### SOLUTIONS....

Our popular Fusion Consoles™ series is recognized as the leader in the rental and post production community for its rugged durability and upscale design. Built with timeless style, our designs provide attractive, stable support which offer a comfortable space to work.

### ERGONOMICS....

Our curved design of the desks pulls the equipment toward you, placing it within your line of sight and within reach. The sit or stand heavy duty electric series now offers the ability to work where you want and how you want.

### FUNCTIONALITY....

Our consoles offer optional independent under counter racks that are built standard with front and rear rack rails. Our desks are available in a variety of sizes to fit your equipment layout and work area. We can customize our existing styles to accommodate your needs.

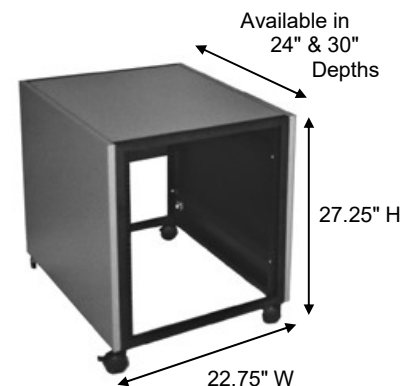
### AFFORDABILITY....

Lots of features at competitive pricing. From our under counter racks which ship completely assembled and ready-to-rack right out of the box to the simple and fast set up of our desks. We save you time and money during assembly.

### Recommended Optional Under Counter Racks for our systems:

- UCR13RU24 13ru high x 24" deep with front and rear adjustable rack rails
- UCR13RU30 13ru high x 30" deep with front and rear adjustable rack rails (shown)

Racks available with Solid Bottom and (2) Adjustable Shelves in 24 or 30" Depths



The Standard Color for our Fusion Consoles™ is Phantom Grey Matrix. Customization of our Products and Colors are available. Just ask us!

Distributed by MARKETEC, a division of Rack Innovations, Inc.  
419 S. Flower St. Burbank, CA 91502 800 557-8861 / 818 847-0200 Fax 888 262-1726  
info@fusionconsoles.com www.fusionconsoles.com