

# LITE Series

**Fusion Consoles™**

**The Shape of Things to Come**

**Made in America**

## Introducing The FUSION™ LITE Electric Consoles.

Our newest  
Sit or Stand Series



### **Model Shown #LITE-68-EHA**

Electronic Height Adjustability (24" - 50")  
3 Position Memory LED Presets  
Over 300 LBS Weight Capacity  
Includes Casters and Cable Management

Distributed by

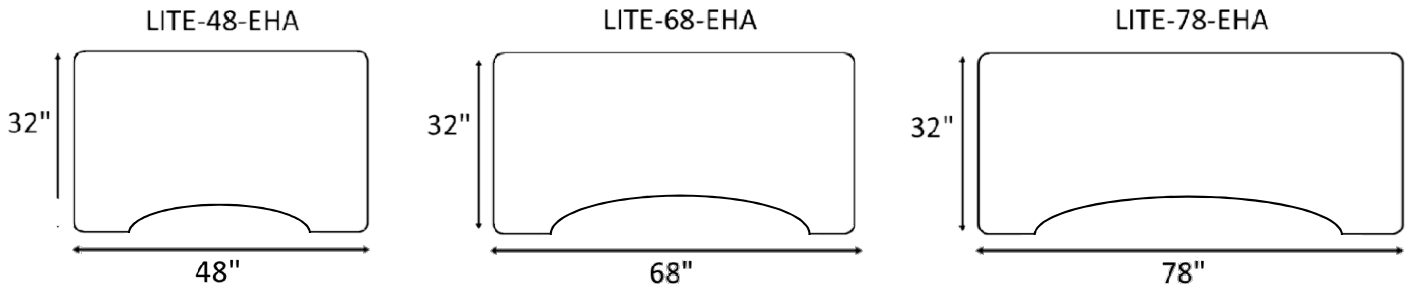
**MARKETEC**  
a division of Rack Innovations Inc.

419 S. Flower St.  
Burbank, CA 91502  
800 557-8861 / 818 847-0200 Fax 888 262-1726  
info@fusionconsoles.com  
www.fusionconsoles.com



**The Shape of Things to Come**  
**Made in America**

**Our lightweight desks maintain the durability of our standard FUSION™ consoles in a much lighter package. Available in 3 sizes.**



**SOLUTIONS....**

Our popular Fusion Consoles™ series is recognized as the leader in the rental and post production community for its rugged durability and upscale design. Built with timeless style, our designs provide attractive, stable support which offer a comfortable space to work.

**ERGONOMICS....**

It's all in the details. For our cost effective lightweight series, we have reduced the thickness of our desktop from 1 1/8" to 3/4". We maintain our professional look by rounding the corners and adding T-molding. Unlike the competition, our bolt/insert design adds the needed stability in the electric sit/stand environment.

**FUNCTIONALITY....**

Our consoles offer optional independent under counter racks that are built standard with front and rear rack rails. Our desks are available in a variety of sizes to fit your equipment layout and work area. We can customize our existing styles to accommodate your needs.

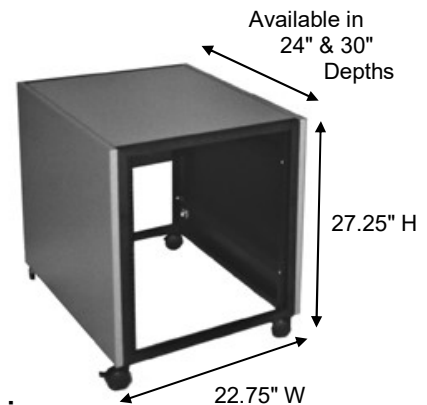
**AFFORDABILITY....**

Lots of features at competitive pricing. From our under counter racks which ship completely assembled and ready-to-rack right out of the box to the simple and fast set up of our desks. We save you time and money during assembly.

**Recommended Optional Under Counter Racks for our systems:**

- UCR13RU24 13ru high x 24" deep with front and rear adjustable rack rails
- UCR13RU30 13ru high x 30" deep with front and rear adjustable rack rails (shown)

Racks available with Solid Bottom and (2) Adjustable Shelves in 24" or 30" Depths



**The Standard Color for our Fusion Consoles™ is Phantom Grey Matrix. Customization of our Products and Colors are available. Just ask us!**

**Distributed by MARKETEC, a division of Rack Innovations, Inc.**  
**419 S. Flower St. Burbank, CA 91502 800 557-8861 / 818 847-0200 Fax 888 262-1726**  
**info@fusionconsoles.com www.fusionconsoles.com**